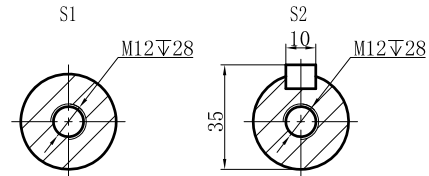
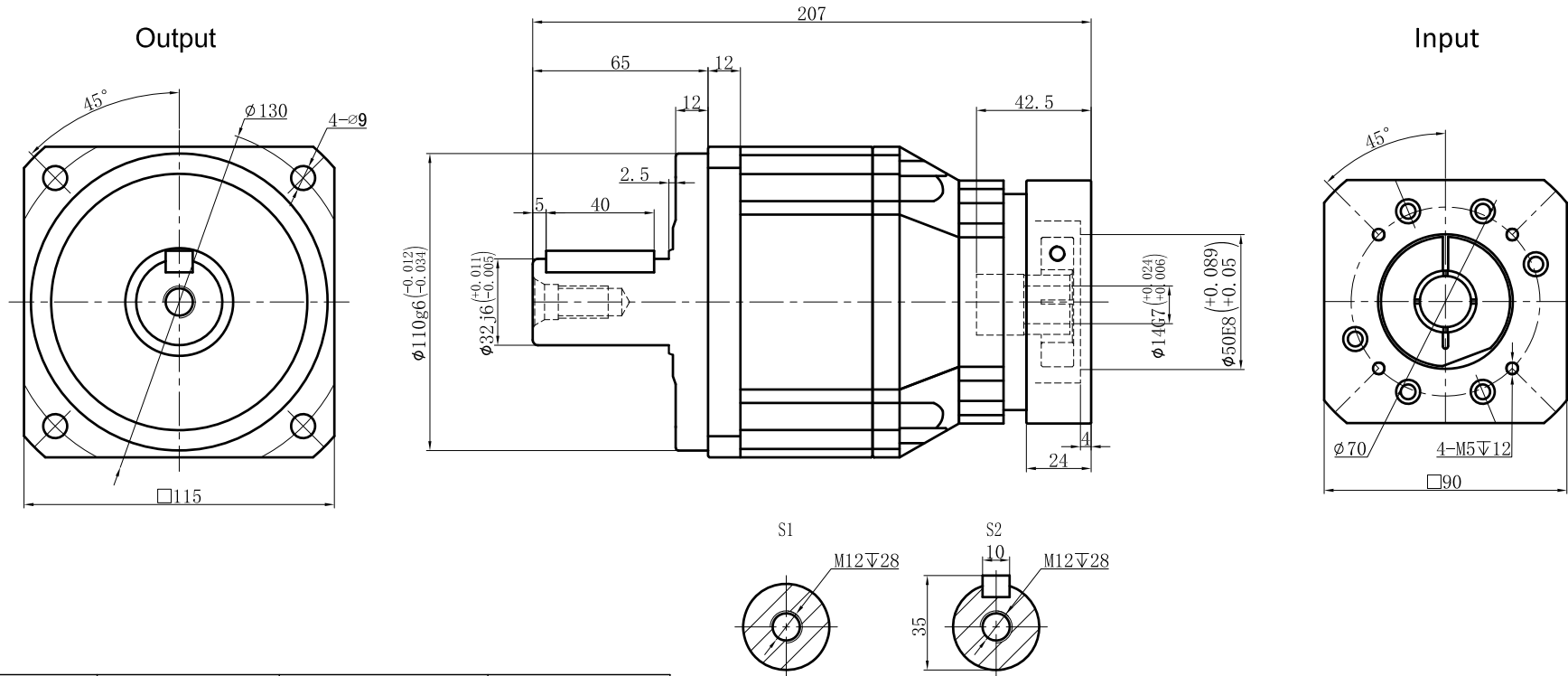


Customer name:



Transmission ratio	(A):1	Mass moments of inertia	(B)Kg.cm ²																	
Rated output torque	(C)Nm	Max.Output torque	(D)Nm	40	0.47	260	468	Sign/Date												
Rated input speed	4000rpm	Max input speed	8000rpm	35	0.47	300	540		100	0.44	235	423								
Max.radial force	6700N	Max.axial force	3350N	30	0.47	310	558		80	0.44	260	468								
Efficiency	≥ 94%	Operating temperature	-20°~+90°	25	0.47	333	599.4		70	0.44	300	540								
Mounting position	Any	Lubrication method	Synthetic grease	20	0.47	290	522		60	0.44	310	558								
Weight ±3%	9.5Kg	Service life	20000h	15	0.47	210	378	50	0.44	333	599.4									
Standard backlash	≤ 5 arcmin	Protection class	IP65	Ratio	A	B	C	D	Ratio	A	B	C	D							
Motor power		Noise level	63dB	NOTE				Precision Planetary Reducer				TB115								
Motor dimensions												TB115-L2								
			Mark									No.		Sign		Date		Shaft Type	Precision	
			DRAW									CHEC		APPR		RULE				

(Above specifications are for standard reducer and may be subject to change without notice.)